

Electronics Laboratory



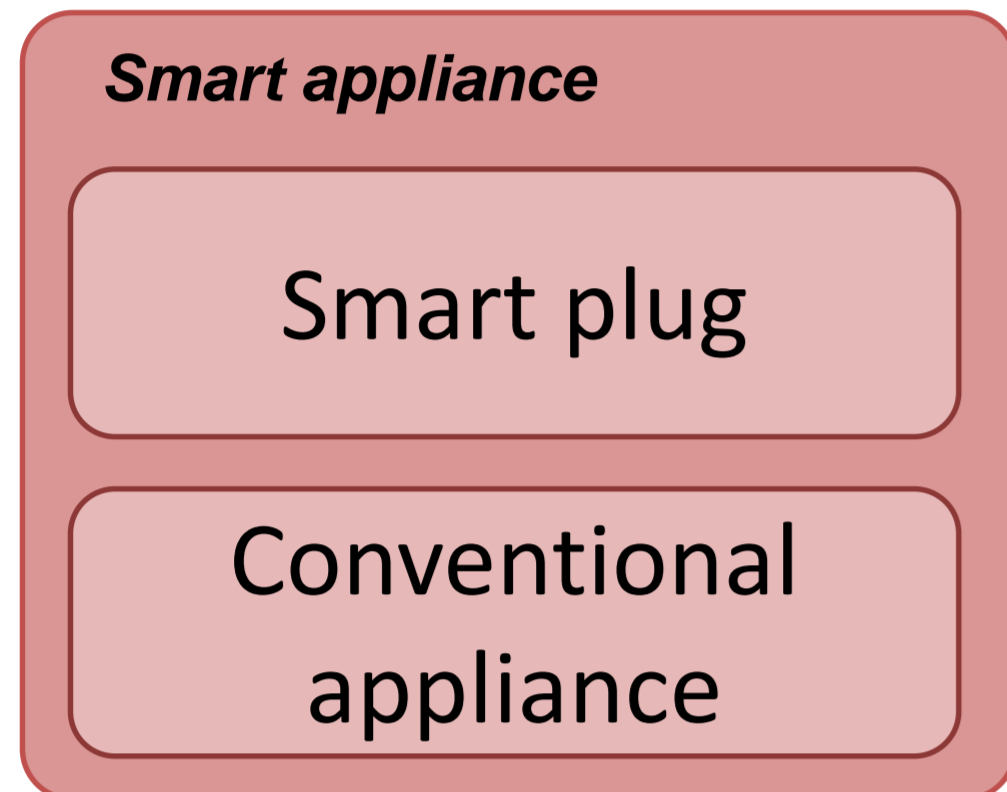
An innovative hardware for a Smart Building Management Platform



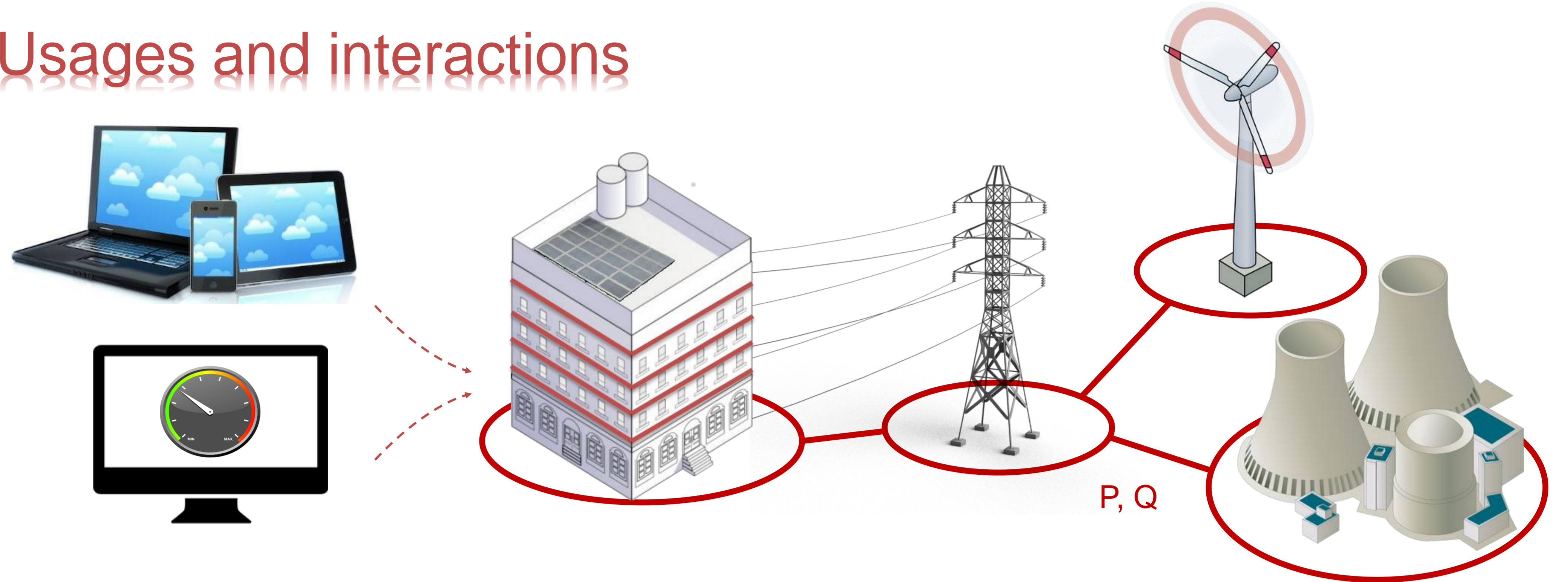
Gilbert Conus, Georgios Lilis, Nastaran Asadi, Maher Kayal
Elab – Electronics Laboratory, EPFL – École Polytechnique Fédérale de Lausanne

Objective

Bring smartness in the building where it is not present.



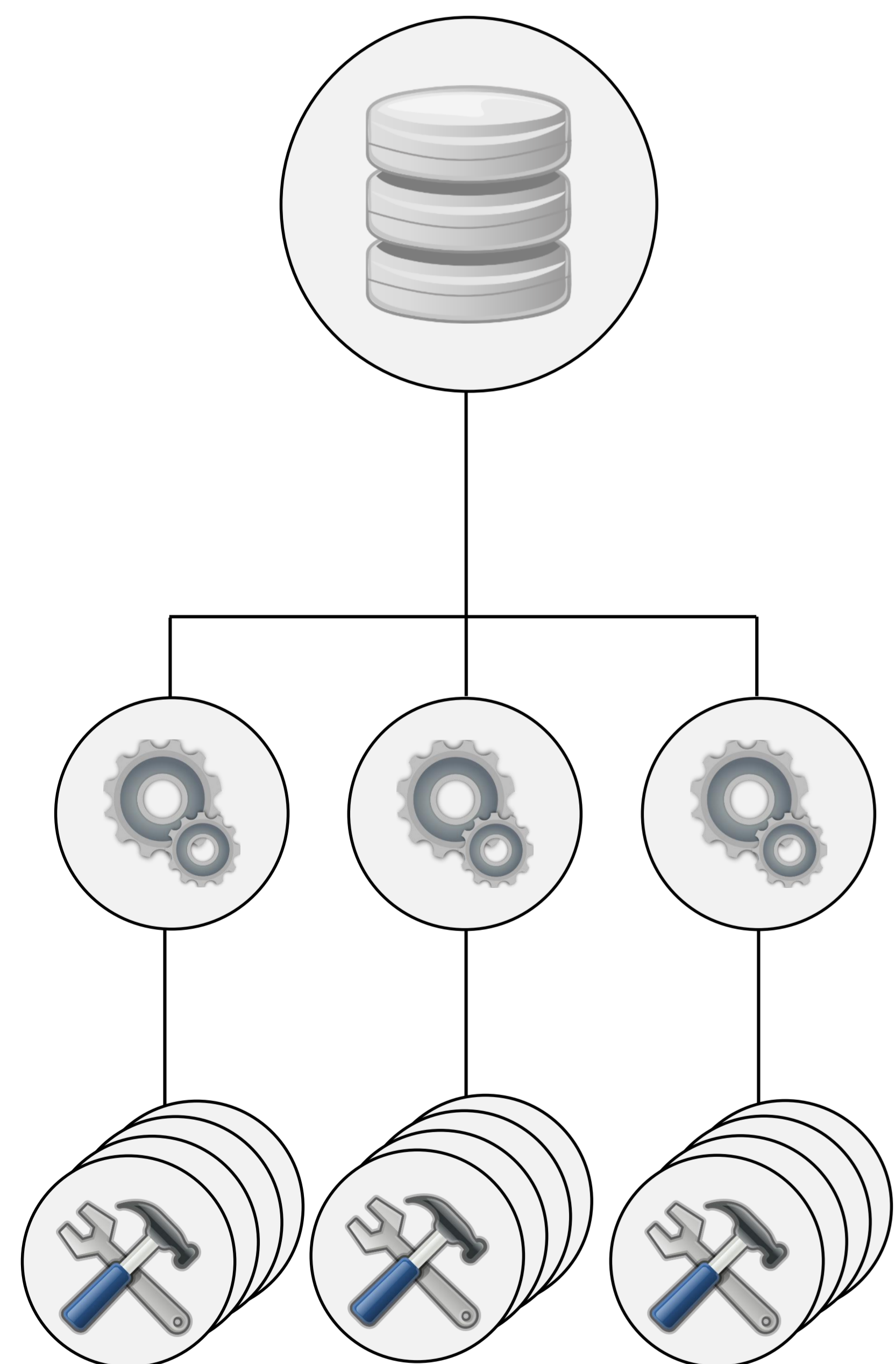
Usages and interactions



Made to be linked with smartgrid for demand side management

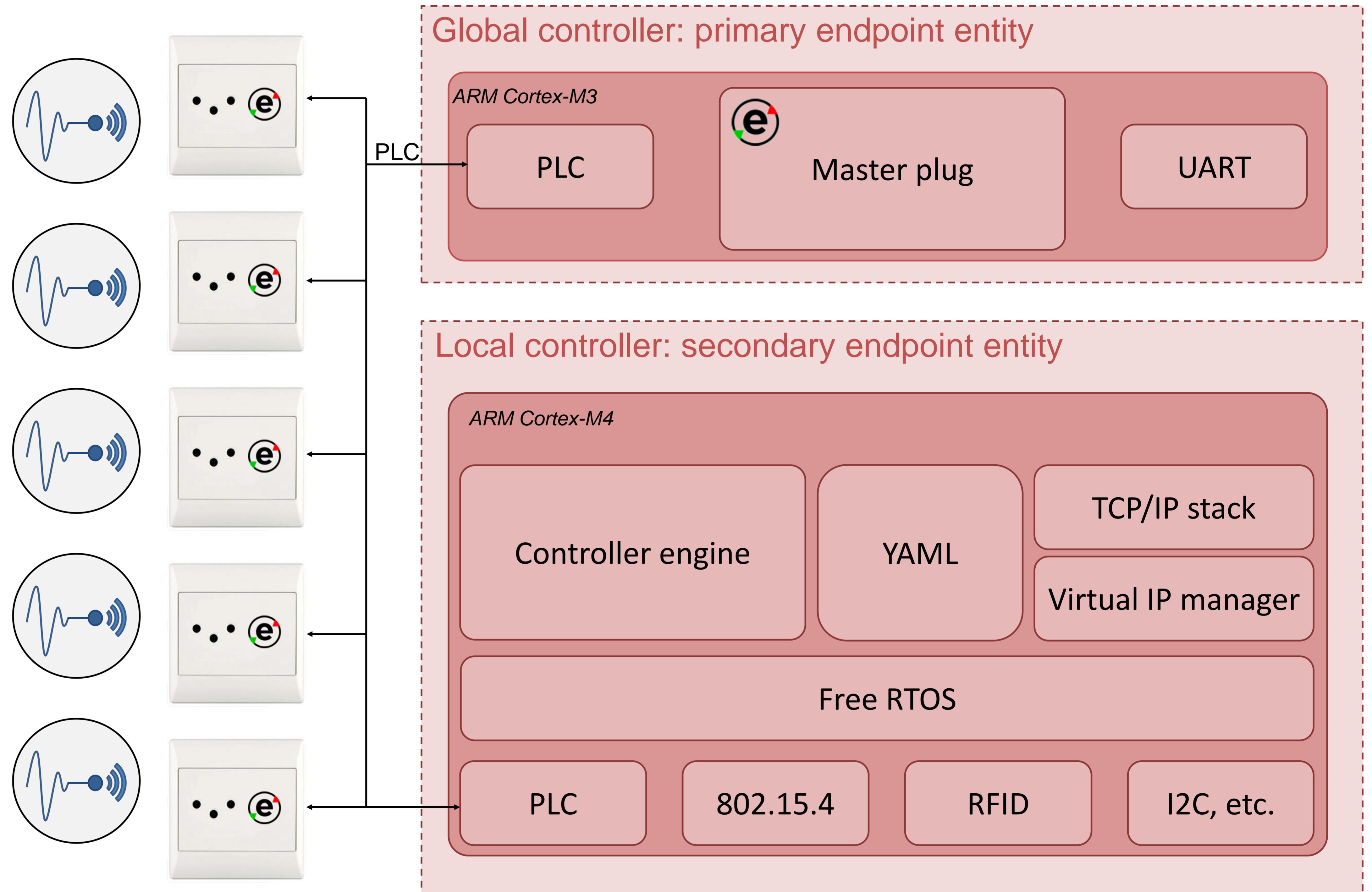
Implementation

Pyramidal for optimal control



System deployment

Dedicated hardware is linked to embedded middleware for connection with platform



Hardware elements

Communication Protocols

- G3-PLC
- Z-Wave
- 802.15.4: 6LowPAN

Zero power sensors

- High performance PV cell
- High efficiency battery charger at low voltage
- Low power consumptions
- **Smart wireless transmission**
 - Low power, high reliability

Smart sensors and smart plugs

